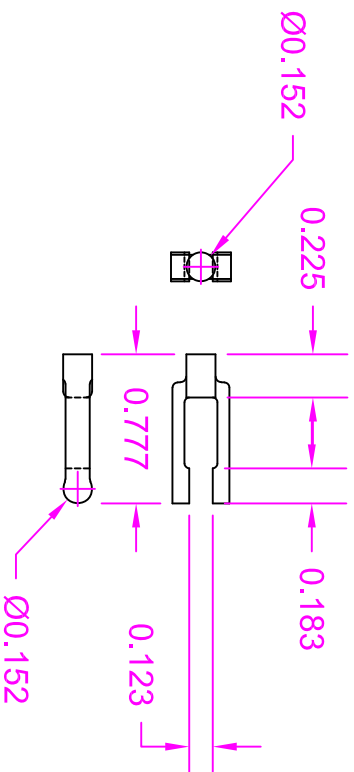


REVISIONS		DATE	APPROVED
ZONE	LTR		
DESCRIPTION			



Small Clevis
MAT'L: 316 SS

DRAWN		R. Swift	DATE	
CHECKED		R. Swift	23 Apr 13	
STRESS				
ENGR.		R. Swift	23 Apr 13	
APPD.		R. Swift	23 Apr 13	
APPD.				
CONTRACT NUMBER				
CONTRACT APPROVAL				
FRAC-TION		.X	.XX	.XXX
TOLERANCES				ANGLE
FILE NO.				
DWG SET				
REVISION				
JOB NO.				
JOB NO.				
DATE				
<p style="text-align: center;">Swift Locomotive Works</p> <p style="text-align: center;">Clevis 2</p>		SIZE	CODE IDENT.	DRAWING NUMBER
		A		Clevis 2
		SCALE	FULL	SH. 1 OF 1